

EC 轴流风扇

150×150×50MM-2 SERIES

轴承结构：双滚珠

Bearing system: TwoBall

外框材质：铝合金

Frame: Aluminum

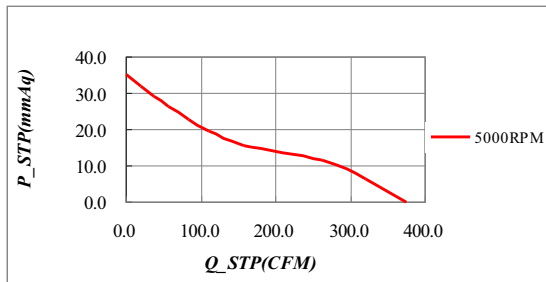
扇叶材质：环保防火PBT UL 94V-0

Impeller: Thermoplastic PBT UL 94V-0

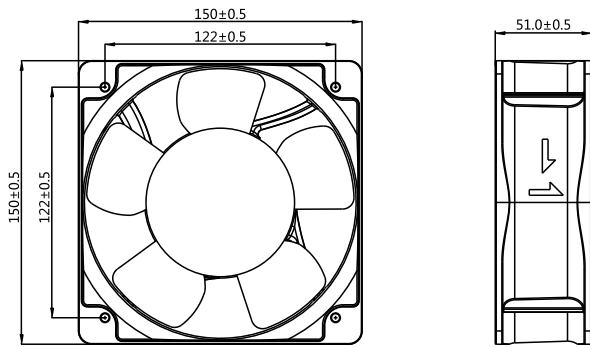
风扇单重：700g (Weight:700g)



P&Q曲线(在额定电压下) P&Q CURVE (AT RATEDVOLTAGE)



尺寸图 DIMENSIONS DRAWING



马达可选功能列表 (Available Functions)

1. 马达保护 (Motor protection)

RP	SS	LP	CL	OVP
<input type="radio"/>	<input checked="" type="radio"/>	<input checked="" type="radio"/>	<input checked="" type="radio"/>	<input type="radio"/>

2. 信号输出 (Signal out put)

FG	RD	RDB	LD
<input checked="" type="radio"/>	<input checked="" type="radio"/>	<input checked="" type="radio"/>	<input checked="" type="radio"/>

3. 调速方式 (Speed control mode)

PWM	TC	VC	CC	CS
<input checked="" type="radio"/>	<input checked="" type="radio"/>	<input checked="" type="radio"/>	<input checked="" type="radio"/>	<input checked="" type="radio"/>

MODEL	Rated Voltage	Operating Voltage Range	Frequency	Rated Input Power	Speed	Maximum Air Flow	Maximum Air Pressure	Noise
型号	额定电压	工作电压范围	频率	额定输入功率	转速	最大风量	最大风压	噪音
PART NO.	VAC	VAC	Hz	Watt	R.P.M	m ³ /min CFM	mmH2O INH2O	DB-A
YE15050H110	110	80to135	50/60	64	5000	10.66 375.4	35.40 1.39	71.2
YE15050H220	220	180to265	50/60	55				

如果您需要的转速或电压或功能不在这清单上，请与我们联系。 If you want another rpm or voltage or functions which one in the list, please contact with our sales.

提示1：功能的具体信息参照产品目录前页篇章。

Notes 1: The catalog have detail information in the front page for the functions.

提示2：产品详细信息请参照承认书。

Notes 2: Product have a detail in the approval sheet.

提示3：产品规格变更不另行通知。

Notes 3: Specifications are subject to change without notice.