

DC-A类轴流风扇

150×150×50MM-2 SERIES



轴承结构：双滚珠

Bearing system: TwoBall

外框材质：铝合金

Frame: Aluminum

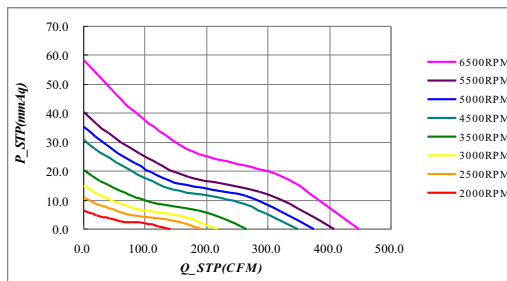
扇叶材质：环保防火PBT UL 94V-0

Impeller: Thermoplastic PBT UL 94V-0

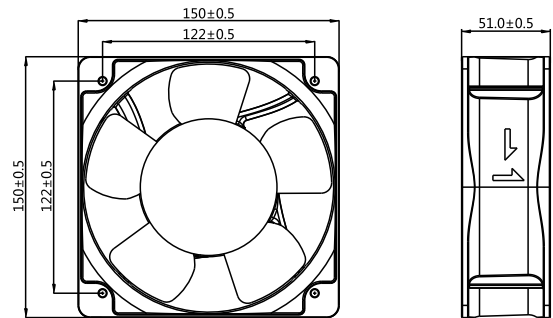
风扇单重：700g (Weight:700g)



P&Q曲线(在额定电压下) P&Q CURVE (AT RATED VOLTAGE)



尺寸图 DIMENSIONS DRAWING



马达可选功能列表(Available Functions)

1. 马达保护 (Motor protection)

| | | | | |
|----|----|----|----|-----|
| RP | SS | LP | CL | OVP |
| ● | ● | ● | ● | ○ |

2. 信号输出 (Signal out put)

| | | | |
|----|----|-----|----|
| FG | RD | RDB | LD |
| ● | ● | ● | ● |

3. 调速方式(Speed control mode)

| | | | | |
|-----|----|----|----|----|
| PWM | TC | VC | CC | CS |
| ● | ● | ● | ● | ● |

| MODEL | Rated Voltage | Operating Voltage Range | Rated Current | Rated Input Power | Speed | Maximum Air Flow | Maximum Air Pressure | Noise | | |
|---------------|---------------|-------------------------|---------------|-------------------|-------|---------------------|----------------------|-------------|------|------|
| 型号 | 额定电压 | 工作电压范围 | 额定电流 | 额定输入功率 | 转速 | 最大风量 | 最大风压 | 噪音 | | |
| PART NO. | VDC | VDC | Amp | Watt | R.P.M | m ³ /min | CFM | mmH2O INH2O | DB-A | |
| YY15050L12 | 12 | 8.0to13.5 | 0.43 | 5.16 | 2000 | 4.02 | 141.5 | 6.46 | 0.25 | 44.8 |
| YY15050L24 | 24 | 18to26.5 | 0.21 | 5.04 | | | | | | |
| YY15050L48 | 48 | 36to54 | 0.13 | 6.24 | | | | | | |
| YY15050M12 | 12 | 8.0to13.5 | 0.84 | 10.08 | 2500 | 5.43 | 191.3 | 10.85 | 0.43 | 52.1 |
| YY15050M24 | 24 | 18to26.5 | 0.34 | 8.16 | | | | | | |
| YY15050M48 | 48 | 36to54 | 0.2 | 9.6 | | | | | | |
| YY15050H12 | 12 | 8.0to13.5 | 1.5 | 18 | 3000 | 6.16 | 216.9 | 14.98 | 0.59 | 57.3 |
| YY15050H24 | 24 | 18to26.5 | 0.56 | 13.44 | | | | | | |
| YY15050H48 | 48 | 36to54 | 0.32 | 15.36 | | | | | | |
| YY15050H12-HH | 12 | 8.0to13.5 | 2.0 | 24 | 3500 | 7.53 | 265.1 | 20.41 | 0.80 | 62.8 |
| YY15050H24-HH | 24 | 18to26.5 | 0.9 | 21.6 | | | | | | |
| YY15050H48-HH | 48 | 36to54 | 0.54 | 25.92 | | | | | | |
| YY15050H12-VH | 12 | 8.0to13.5 | 3.75 | 45.0 | 4500 | 9.89 | 348.2 | 30.87 | 1.22 | 69.4 |
| YY15050H24-VH | 24 | 18to26.5 | 1.85 | 44.4 | | | | | | |
| YY15050H48-VH | 48 | 36to54 | 0.95 | 45.6 | | | | | | |
| YY15050H12-SH | 12 | 8.0to13.5 | 5.0 | 60.0 | 5000 | 10.66 | 375.4 | 35.4 | 1.39 | 71.2 |
| YY15050H24-SH | 24 | 18to26.5 | 2.48 | 59.52 | | | | | | |
| YY15050H48-SH | 48 | 36to54 | 1.25 | 60 | | | | | | |
| YY15050H12-EH | 12 | 8.0to13.5 | 6.3 | 75.6 | 5500 | 11.60 | 408.50 | 40.44 | 1.59 | 73.5 |
| YY15050H24-EH | 24 | 18to26.5 | 3.1 | 74.4 | | | | | | |
| YY15050H48-EH | 48 | 36to54 | 1.56 | 74.88 | | | | | | |
| YY15050H24-GH | 24 | 18to26.5 | 5.32 | 127.8 | 6500 | 12.73 | 448.20 | 58.60 | 2.31 | 84.1 |
| YY15050H48-GH | 48 | 36to54 | 2.62 | 125.6 | | | | | | |

如果您需要的转速或电压或功能不在这清单上, 请与我们联系。 If you want another rpm or voltage or functions which one in the list, please contact with our sales.

提示1: 功能的具体信息参照产品目录前页篇章。

Notes 1: The catalog have detail information in the front page for the functions.

提示2: 产品详细信息请参照承认书。

Notes 2: Product have a detail in the approval sheet.

提示3: 产品规格变更不另行通知。

Notes 3: Specifications are subject to change without notice.