

# AC 交流机风扇

## AC $\phi 254 \times 89$ MM SERIES



外框材质：铝合金

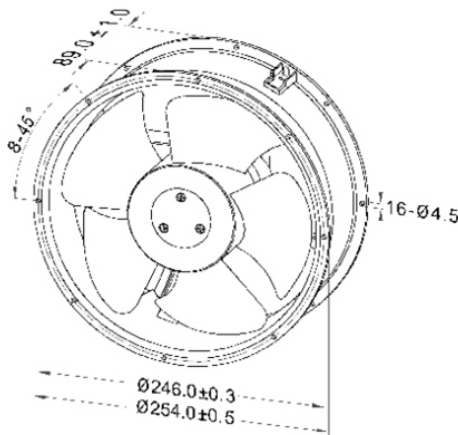
Frame: Aluminum

扇叶材质：环保防火PBT UL 94V-0

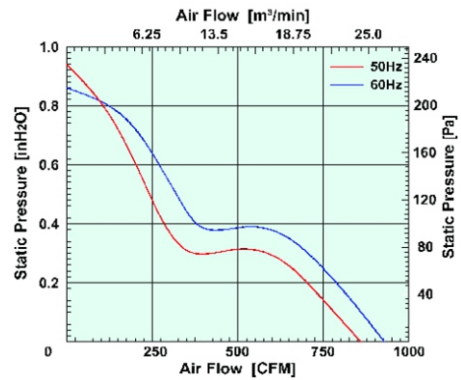
Impeller: Thermoplastic PBT UL 94V-0



### 尺寸图 DIMENSIONS DRAWING



### P&Q曲线(在额定电压下) P&Q CURVE (AT RATED VOLTAGE)



### 马达可选功能列表 (Available Functions)

Model	Bearing System	Rated Voltage	Freq.	Current	Input Power	Speed	Maximum Air flow	Maximum Air flow	Max.static Pressure	Max.static Pressure	Noise	Mass
型号	轴承	电压	频率	电流	功率	转速	风量	风量	静压	静压	噪音	质量
PART NO.		VAC	Hz	Amp	Waat	R.P.M	CFM	M <sup>3</sup> /MIN	INCHH <sub>2</sub> O	Pa	DB-A	g
Y25489-A1	Ball	115	50/60	0.45/0.56	50/65	2700/3000	860/930	24.3/26.3	0.94/0.86	234/214	62/65	2300
Y25489-A2	Ball	230	50/60	0.22/0.28	50/65	2700/3000	860/930	24.3/26.3	0.94/0.86	234/214	62/65	2300

■ 如果您需要的转速或电压或功能不在这清单上, 请与我们联系。 If you want another rpm or voltage or functions which one in the list, please contact with our sales.

■ 提示1: 功能的具体信息参照产品目录前页篇章。

Notes 1: The catalog have detail information in the front page for the functions.

■ 提示2: 产品详细信息请参照承认书。

Notes 2: Product have a detail in the approval sheet.

■ 提示3: 产品规格变更不另行通知。

Notes 3: Specifications are subject to change without notice.